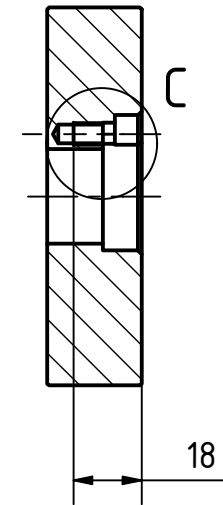
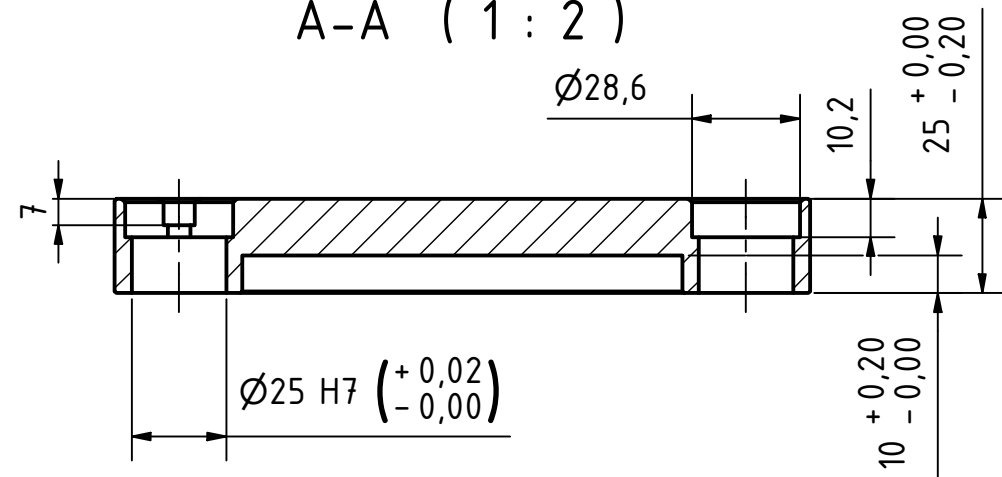


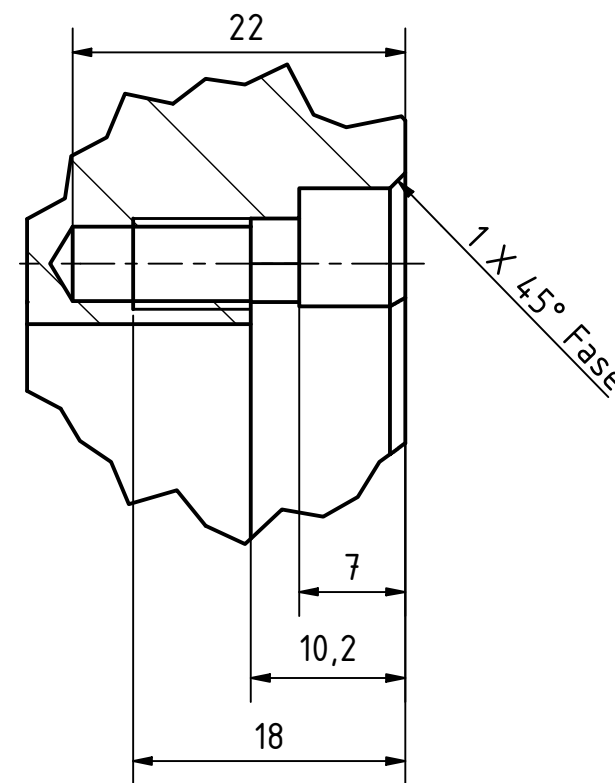
B-B (1:2)



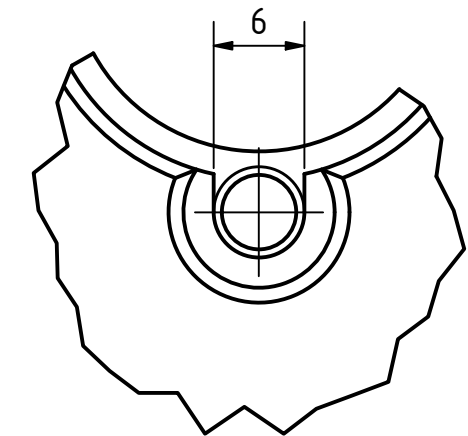
A-A (1:2)



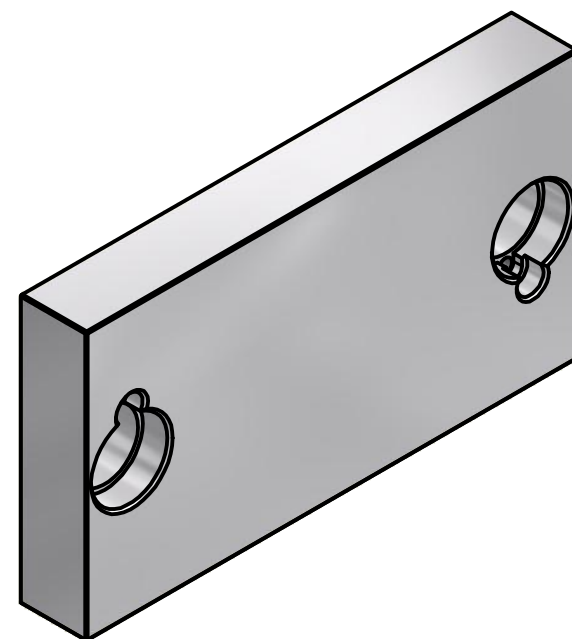
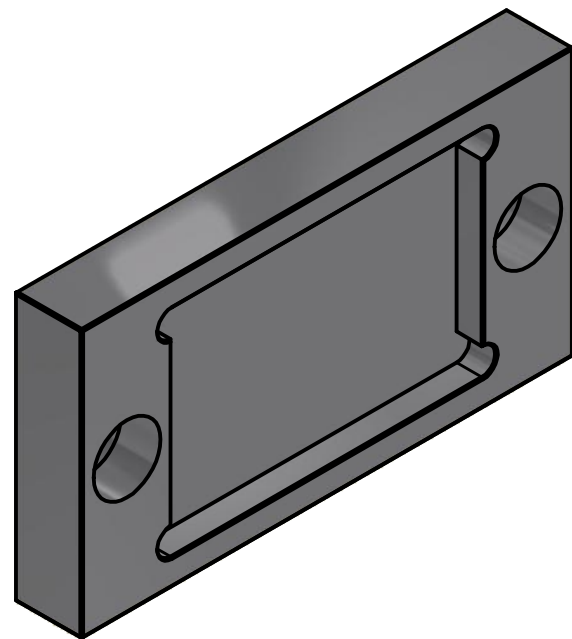
C (2:1)



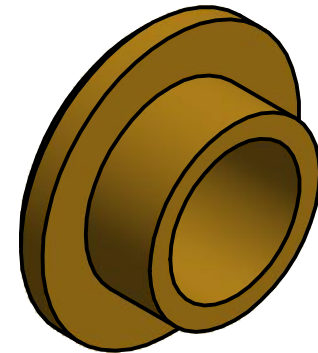
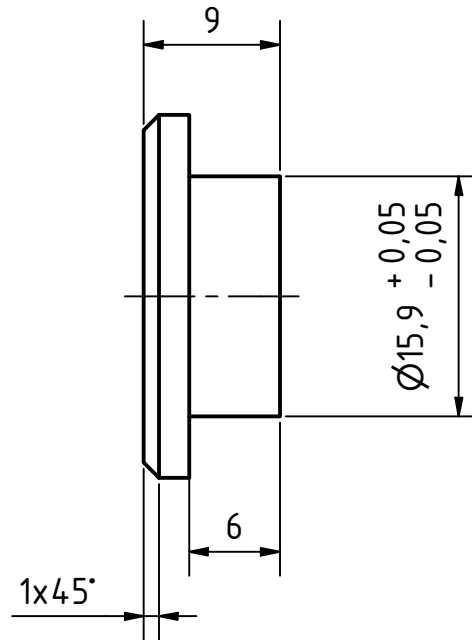
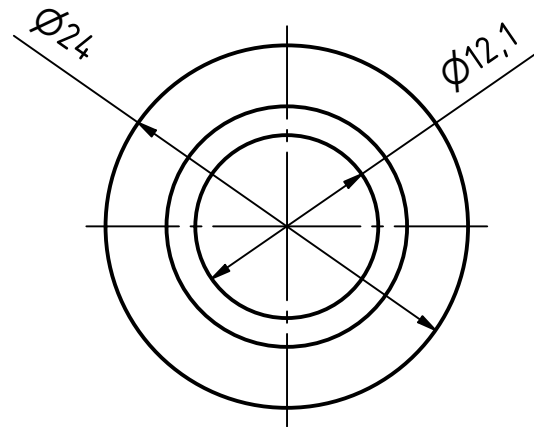
D (2:1)



Reproduction for scientific use only,
commercial use is not permitted.
Copyright by Ralf Suren.



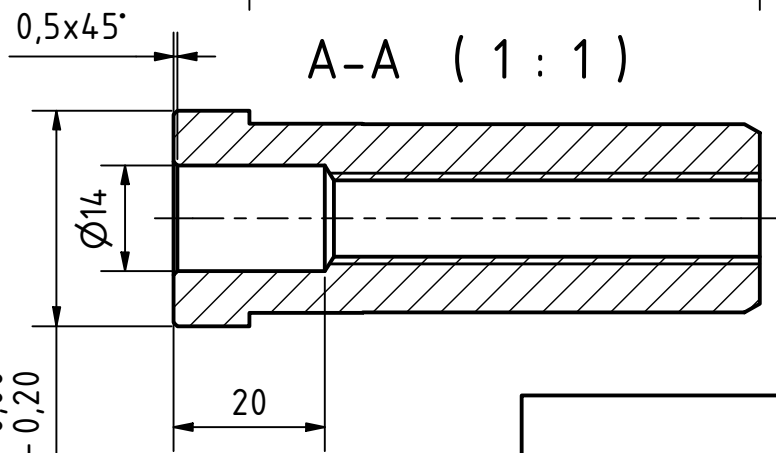
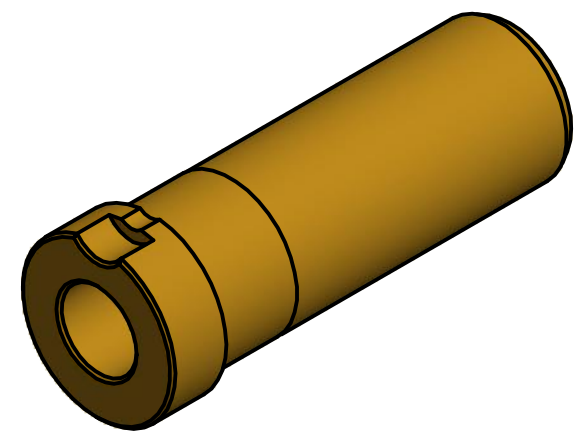
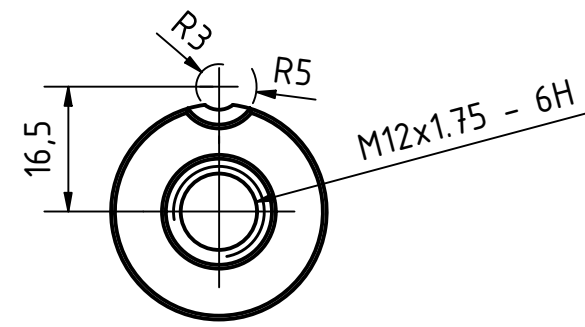
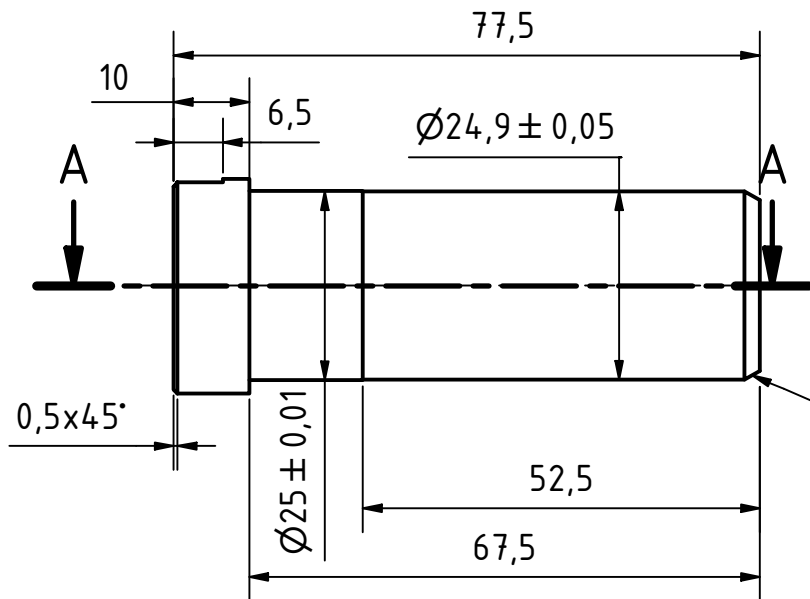
| | | | | | | | | |
|--------|---------|------|------|---|------------|------------------|----------------------------|----------|
| | | | | | | | | |
| | | | | | | | | |
| | | | | Date | Name | Material: 1.4305 | | |
| | | | | Drawn | 20.09.2006 | | | R. Suren |
| | | | | Controlled | | | | |
| | | | | Norm | | | Base plate stainless steel | |
| | | | | Institute of Inorganic Chemistry Kiel University | | 1 | | |
| Status | Changes | Date | Name | | | A3 | | |



Reproduction for scientific use only,
commercial use is not permitted.
Copyright by Ralf Suren.

| | | | | | | | |
|--------|---------|------|------|---|------------|-----------------|----------|
| | | | | | | | |
| | | | | | | | |
| | | | | Drawn | 13.09.2006 | Name | R. Suren |
| | | | | Controlled | | | |
| | | | | Norm | | | |
| | | | | Institute of Inorganic Chemistry Kiel University | | Material: Brass | |
| | | | | | | | |
| | | | | | | 1 | |
| | | | | | | A4 | |
| Status | Changes | Date | Name | | | | |

1
A4



A-A (1:1)

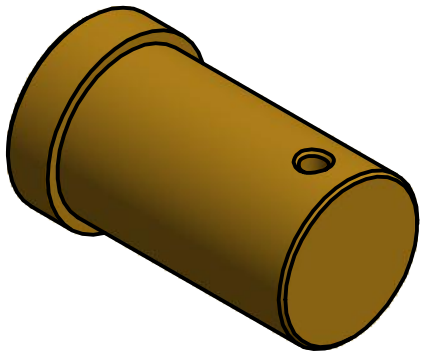
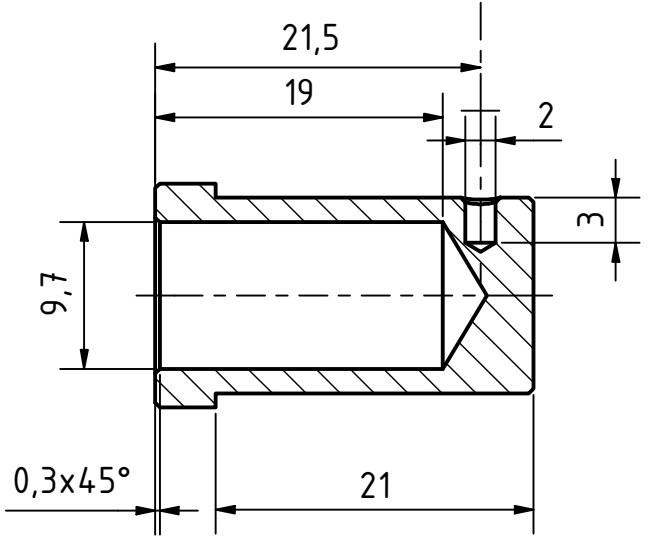
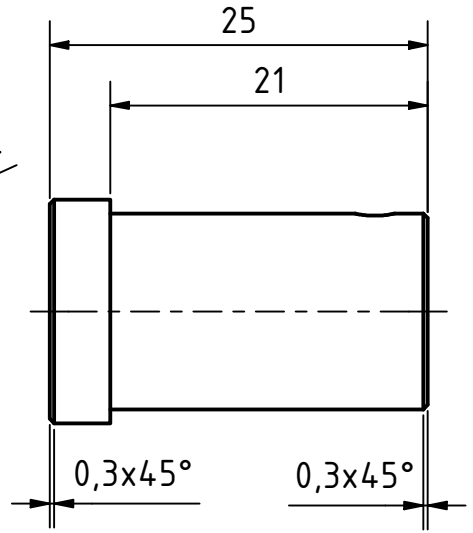
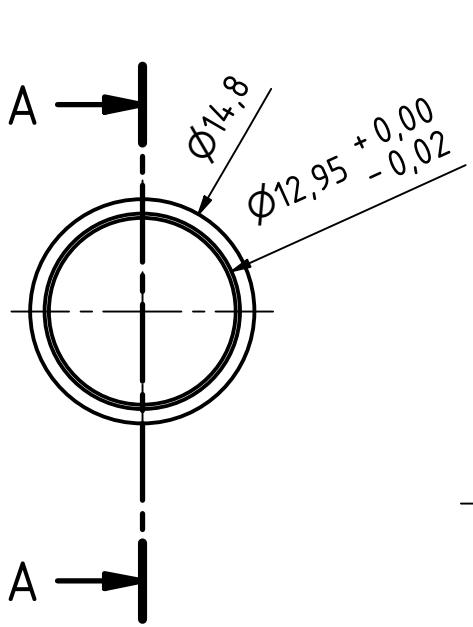
$\varnothing 28,5^{+0,00}_{-0,20}$

Reproduction for scientific use only,
commercial use is not permitted.
Copyright by Ralf Suren.

| | | | | | | | |
|--------|---------|------|------|---|---------------------|-----------|-----------------|
| | | | | | | | |
| | | | | | | | |
| | | | | Date | Name | | Material: Brass |
| | | | | Drawn | 31.08.2006 R. Suren | | |
| | | | | Controlled | | | |
| | | | | Norm | | | |
| | | | | Institute of Inorganic Chemistry Kiel University | | Guide pin | |
| | | | | | | 1 | |
| | | | | | | A4 | |
| Status | Changes | Date | Name | | | | |

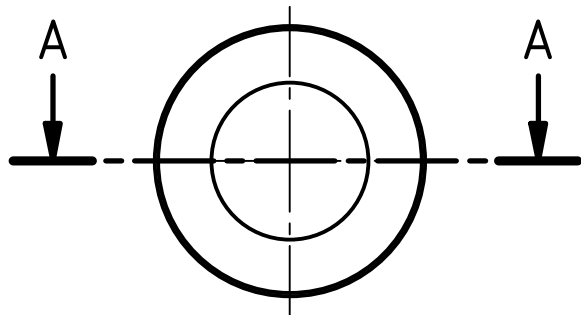


A-A (2 : 1)

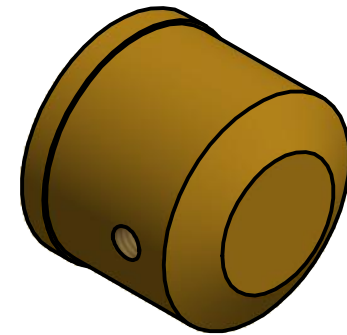
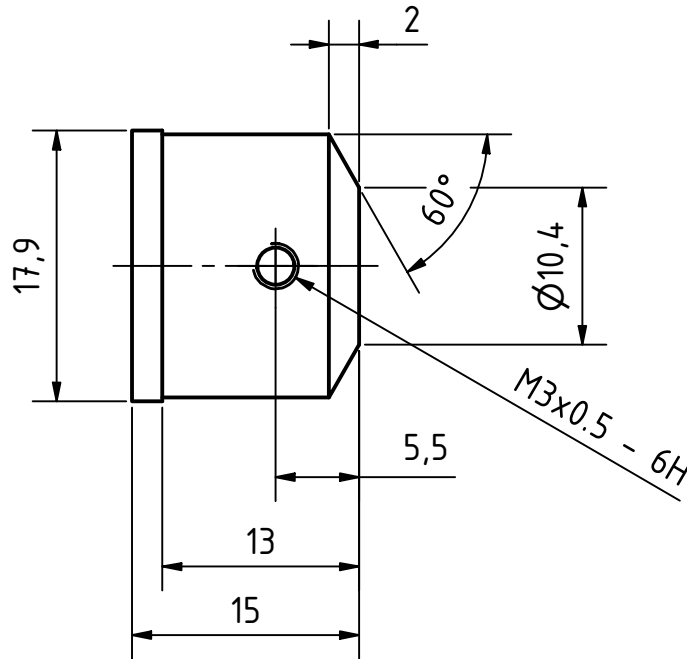
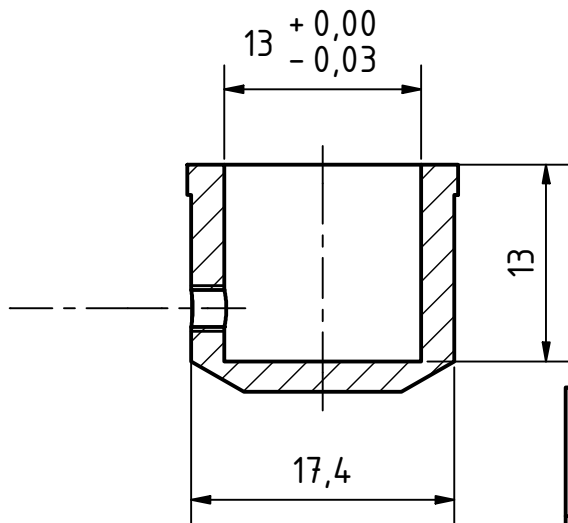


Reproduction for scientific use only,
commercial use is not permitted.
Copyright by Ralf Suren.

| | | | | | | | | |
|--------|---------|------|------|---|------------|-----------------|--|----------|
| | | | | | | | | |
| | | | | | | | | |
| | | | | Date | Name | Material: Brass | | |
| | | | | Drawn | 02.10.2007 | | | R. Suren |
| | | | | Controlled | | | | |
| | | | | Norm | | | | |
| | | | | Institute of Inorganic Chemistry Kiel University | | Thrust piece | | |
| | | | | | | 1 | | |
| | | | | | | A4 | | |
| Status | Changes | Date | Name | | | | | |



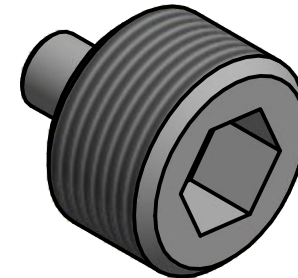
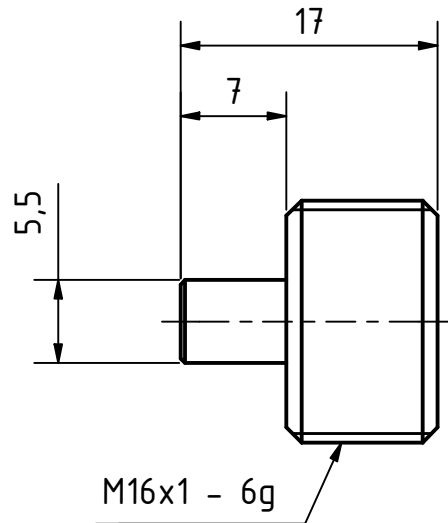
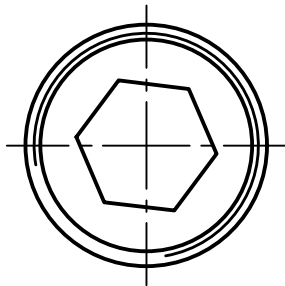
A-A (2 : 1)



Reproduction for scientific use only,
commercial use is not permitted.
Copyright by Ralf Suren.

| | | | | | | | | |
|--------|---------|------|------|---|------------|------------------|--|----------|
| | | | | | | | | |
| | | | | | | | | |
| | | | | Date | Name | Material: Brass | | |
| | | | | Drawn | 15.10.2007 | | | R. Suren |
| | | | | Controlled | | | | |
| | | | | Norm | | | | |
| | | | | Institute of Inorganic Chemistry Kiel University | | Cap thrust piece | | |
| | | | | | | 1 | | |
| | | | | | | A4 | | |
| Status | Changes | Date | Name | | | | | |

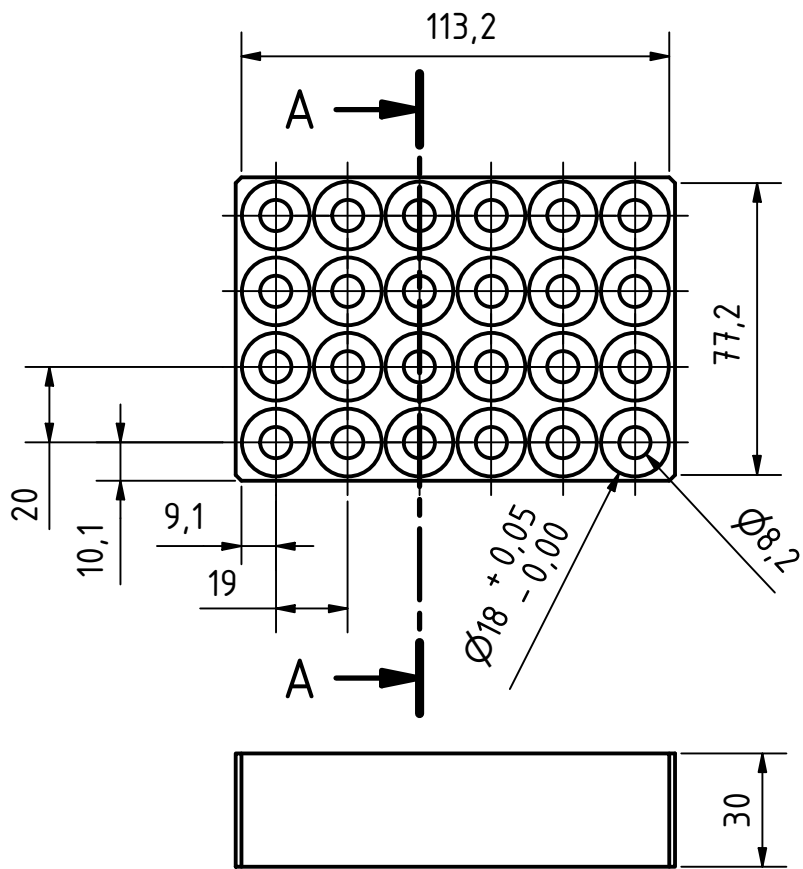




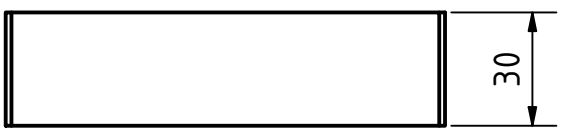
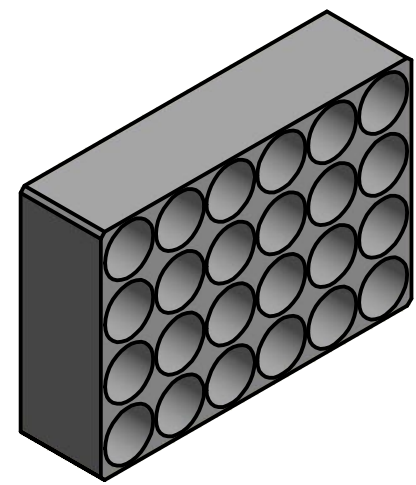
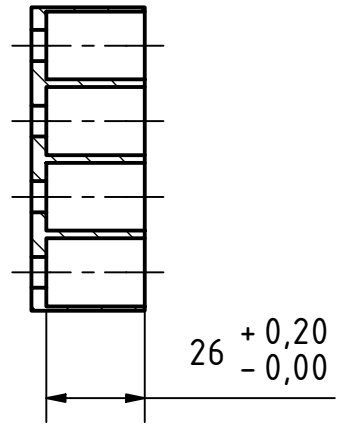
Reproduction for scientific use only,
commercial use is not permitted.
Copyright by Ralf Suren.

| | | | | | | | |
|--------|---------|------|------|---|------------|-----------------------------|--|
| | | | | | | | |
| | | | | | | | |
| | | | | Drawn | 01.10.2007 | R. Suren | |
| | | | | Controlled | | | |
| | | | | Norm | | | |
| | | | | Institute of Inorganic Chemistry Kiel University | | Material: 1.4301 (M10x25) | |
| | | | | | | | |
| | | | | | | A4 | |
| Status | Changes | Date | Name | | | | |

1
A4



A-A (1 : 2)

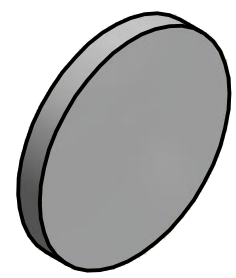
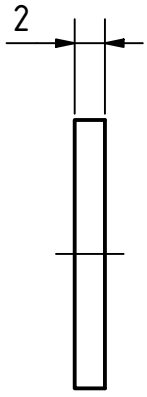
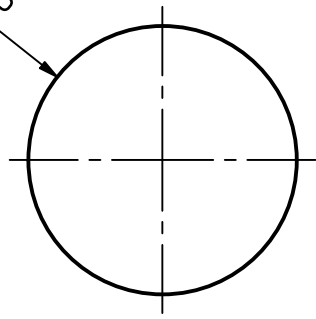


Reproduction for scientific use only,
commercial use is not permitted.
Copyright by Ralf Suren.

| | | | | | | | | |
|--------|---------|------|------|---|------------|------------------|--|----------|
| | | | | | | | | |
| | | | | | | | | |
| | | | | Date | Name | Material: 1.4305 | | |
| | | | | Drawn | 10.08.2007 | | | R. Suren |
| | | | | Controlled | | | | |
| | | | | Norm | | | | |
| | | | | Institute of Inorganic Chemistry Kiel University | | Sample plate | | |
| | | | | | | 1 | | |
| | | | | | | A4 | | |
| Status | Changes | Date | Name | | | | | |



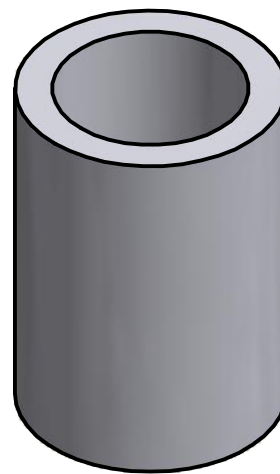
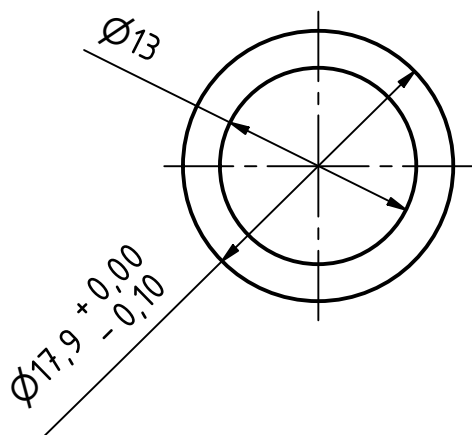
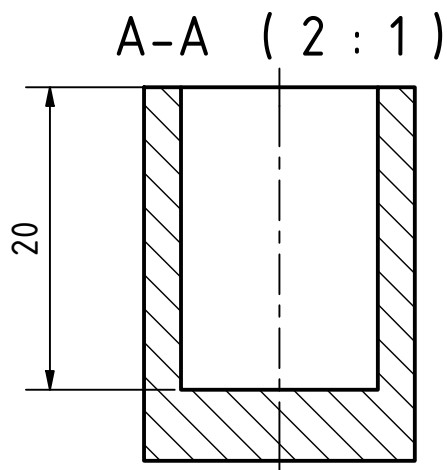
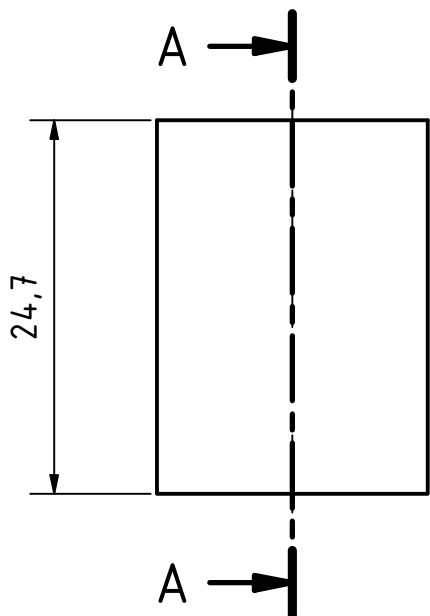
$\varnothing 17,75 \begin{matrix} +0,00 \\ -0,05 \end{matrix}$



Reproduction for scientific use only,
commercial use is not permitted.
Copyright by Ralf Suren.

| | | | | | | | |
|--------|---------|------|------|---|------------|------------------|----------|
| | | | | | | | |
| | | | | | | | |
| | | | | Drawn | 15.10.2007 | Name | R. Suren |
| | | | | Controlled | | | |
| | | | | Norm | | | |
| | | | | Institute of Inorganic Chemistry Kiel University | | Material: 1.4305 | |
| | | | | | | | |
| | | | | Disc | | 1 | |
| | | | | | | A4 | |
| Status | Changes | Date | Name | | | | |





Reproduction for scientific use only,
commercial use is not permitted.
Copyright by Ralf Suren.

| | | | | | | | |
|--------|---------|------|------------|---|----------|----------------|--|
| | | | | | | | |
| | | | | | | | |
| | | | | Date | Name | Material: PTFE | |
| | | | Drawn | 31.01.2006 | R. Suren | | |
| | | | Controlled | | | | |
| | | | Norm | | | | |
| | | | | Institute of Inorganic Chemistry Kiel University | | Teflon insert | |
| | | | | | | 1 | |
| | | | | | | A4 | |
| Status | Changes | Date | Name | | | | |